
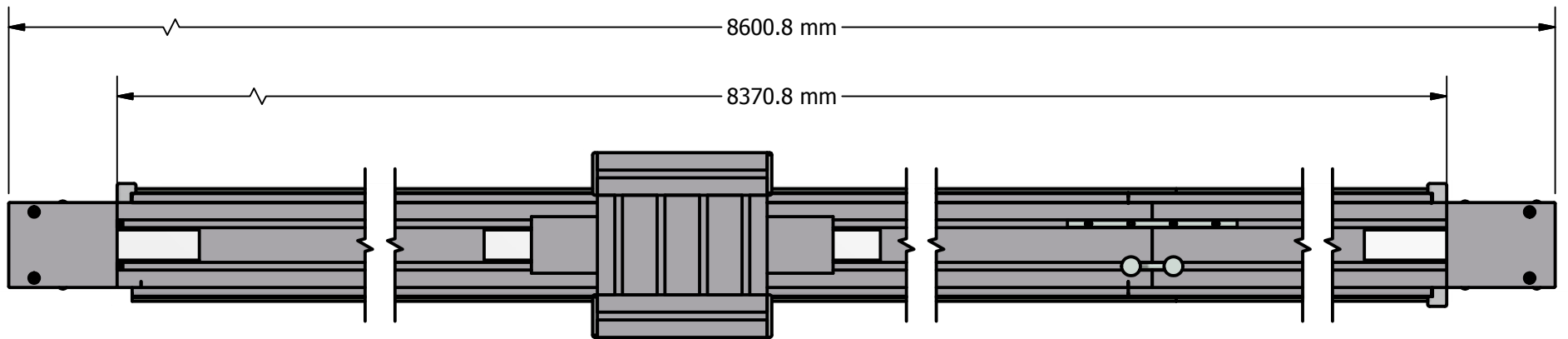


DRAWING APPROVED FOR PRODUCTION BY: _____ DATE _____ APPROVED REVISE & RESUBMIT

APPROVED WITH CHANGES REJECTED


PROJECT AM05092014-1		 <small>WWW.MINITECFRAMING.COM VICTOR, NY PH # 585 924-4690 DIRECT 585 398-1240 EXT 104 FX # 585 924-4821 amoles@minitecframing.com</small>	<small>REV</small>		
DRAWN BY ANDY MOLES			<small>DWG NO</small> AM05092014-1		
DATE 5/9/2014			<small>TITLE</small> ADD TITLE		
<small>DRAWN FOR</small> MINITEC'S CUSTOMER		<small>MATERIAL</small>		<small>FINISH</small>	
<small>TOLERANCES UNLESS OTHERWISE NOTED</small> .X +/- .1/32" .XX +/- .015" .XXX +/- .010"				SHEET 1 OF 3	

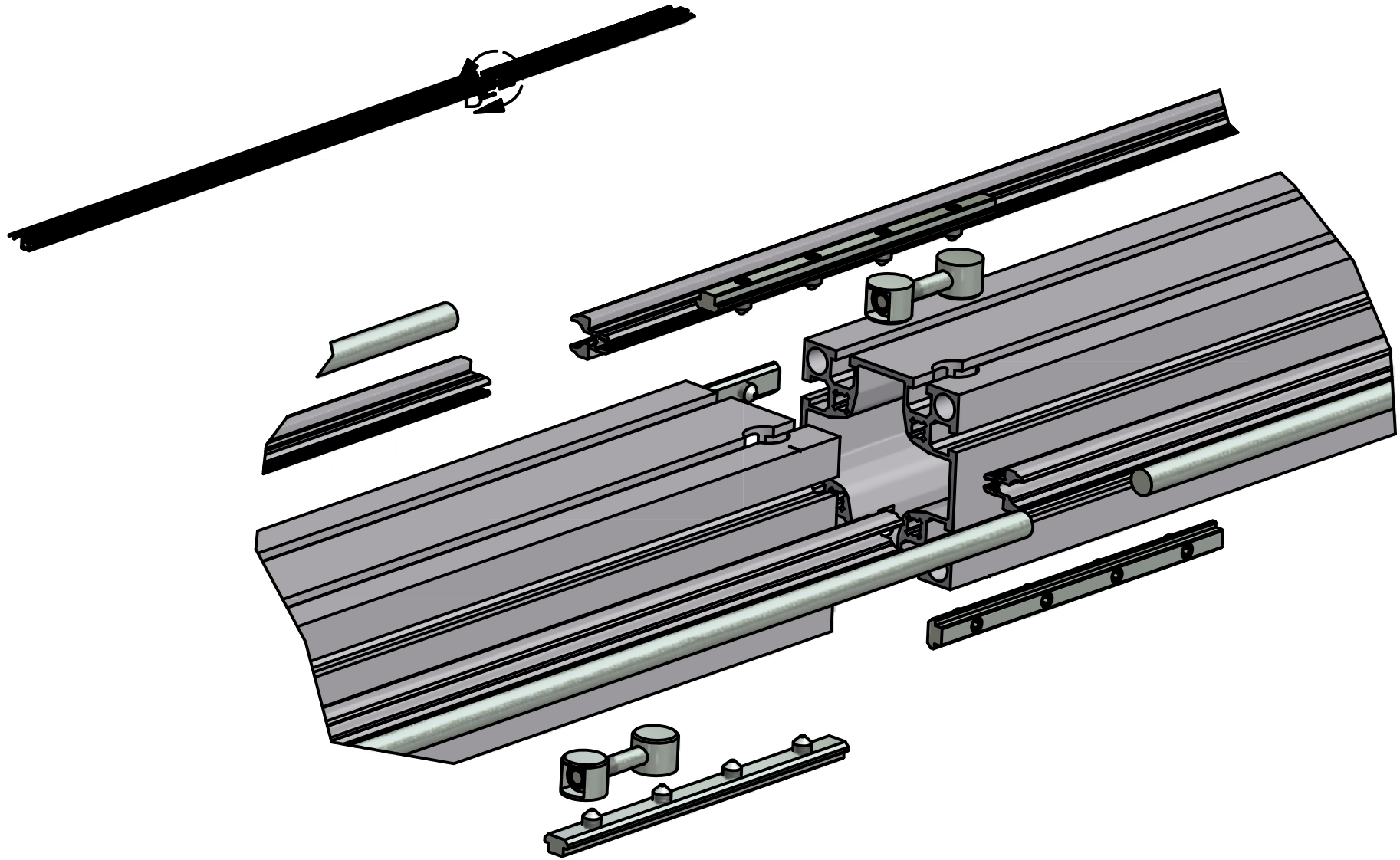
TRAVEL = 8 METERS



APPROVAL INITIALS:


PRE-MILL INSPECTION
 PROFILE ___ MITER ANGLE ___
 LENGTH ___ MITER DIR. ___

PROJECT AM05092014-1		 <small>WWW.MINITECFRAMING.COM VICTOR, NY PH # 585 924-4690 DIRECT 585 398-1240 EXT 104 FX # 585 924-4821 amoles@minitecframing.com</small>	
DRAWN BY ANDY MOLES			
DATE 5/9/2014			
DRAWN FOR MINITEC'S CUSTOMER	TITLE ADD TITLE	DWG NO AM05092014-1	REV
<small>TOLERANCES UNLESS OTHERWISE NOTED .X +/- .125" .XX +/- .015" .XXX +/- .010"</small>		MATERIAL	FINISH
		SHEET 2 OF 3	



DRAWING APPROVED FOR PRODUCTION BY: _____ DATE _____ APPROVED REVISE & RESUBMIT

APPROVED WITH CHANGES REJECTED

PROJECT AM05092014-1			WWW.MINITECFRAMING.COM	
DRAWN BY ANDY MOLES			VICTOR, NY	
DATE 5/9/2014			PH # 585 924-4690 DIRECT 585 398-1240 EXT 104 FX # 585 924-4821 amoles@minitecframing.com	
DRAWN FOR MINITEC'S CUSTOMER	TITLE ADD TITLE	DWG NO RAIL ASSY	REV	
TOLERANCES UNLESS OTHERWISE NOTED .X +/- .12" .XX +/- .015" .XXX +/- .010"		MATERIAL		SHEET 3 OF 3
		FINISH		